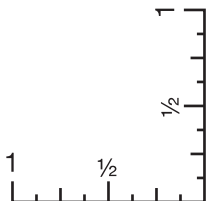
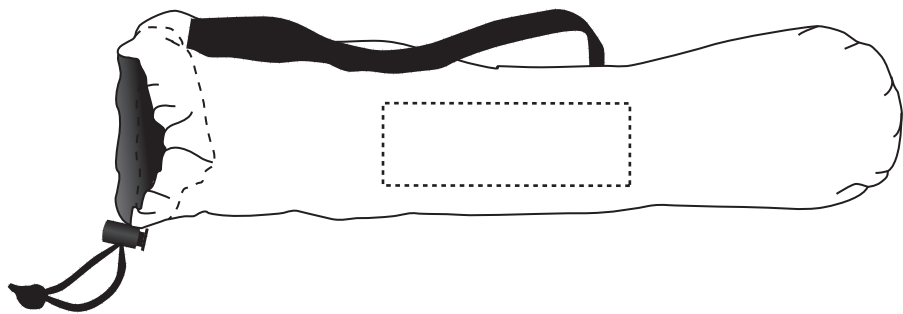


45341 Exercise Mat

Heat Transfer
Carry Bag(Standard): 12"w x 4"h (max 4 colors)

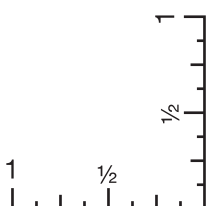
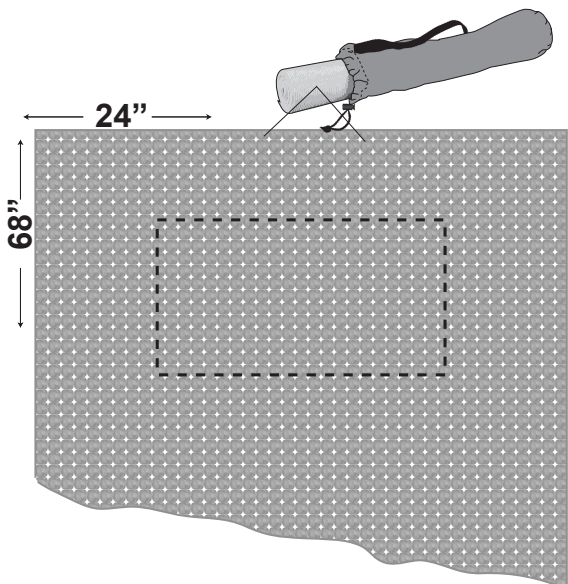
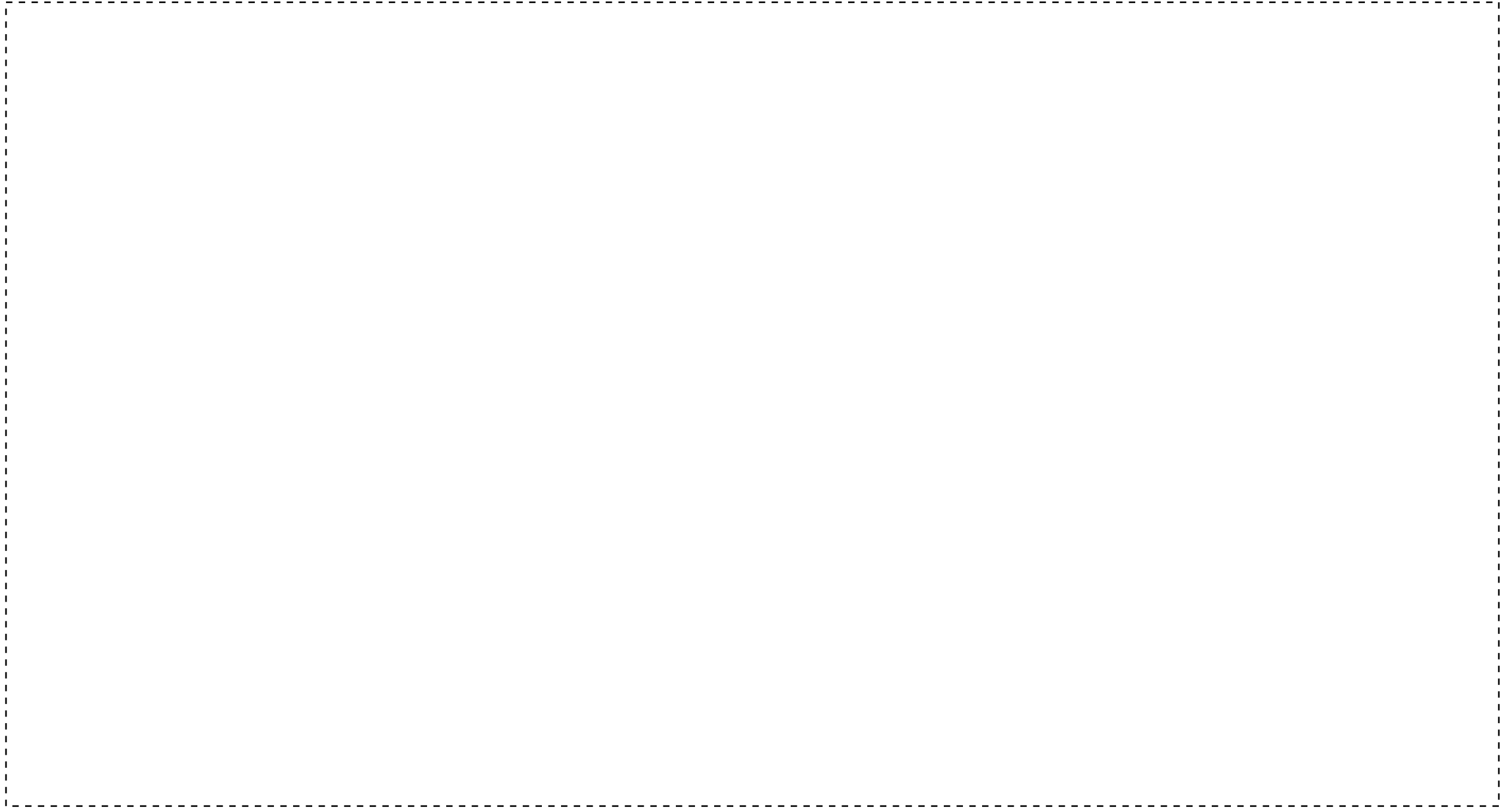
Minimum Font Size: 8 pt.
Minimum Line Weight: 1 pos / 1 neg
Halftones Not Available



45341 Exercise Mat

Heat Transfer
Mat(Optional, add'l charge): 13"w x 7"h (max 4 colors)

Minimum Font Size: 20 pt.
Minimum Line Weight: 4 pos /6 neg
Halftones Not Available



45341 Exercise Mat

Screen Print
Mat(Optional, add'l charge): 13"w x 7"h (max 1 color)

Minimum Font Size: 20 pt.
Minimum Line Weight: 4 pos /6 neg
Halftones Not Available

